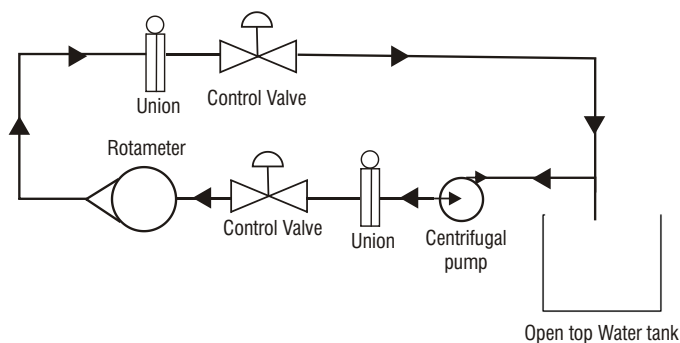


Nvis 3003 Flow measurement using a Rotameter exposes student and industry professionals to fundamentals of flow rate measurement. It demonstrates how a Rotameter can measure flow rate of water.

Features

- User friendly, self explanatory system.
- Leak proof safety measures, study piping.
- Enhanced electrical safety consideration.
- Training manual for operation ease.
- M.S. right angle platform with standard instrument mounting.

Process Flow Diagram



Scope of Learning

- Study of flow rate.
- Study of Rotameter.
- Study and use of flow rate measurement of water using a Rotameter

Technical Specifications

Pump	: 1/2 HP, 230 V AC
Rotameter	: Range: 0 to 2000 LPH Type: Glass tube type / Acrylic body Connection: Vertically placed back body Mounting: Inlet - bottom, Outlet - top
Piping	: 20mm (3/4") CPVC 20mm (3/4") Flexible
Water Tap	: Inlet, Outlet - 20mm (3/4")
Power Supply	: 230V, 50Hz
Dimensions	: W609 X D330 X H533
Weight	: 10Kg (approximately)